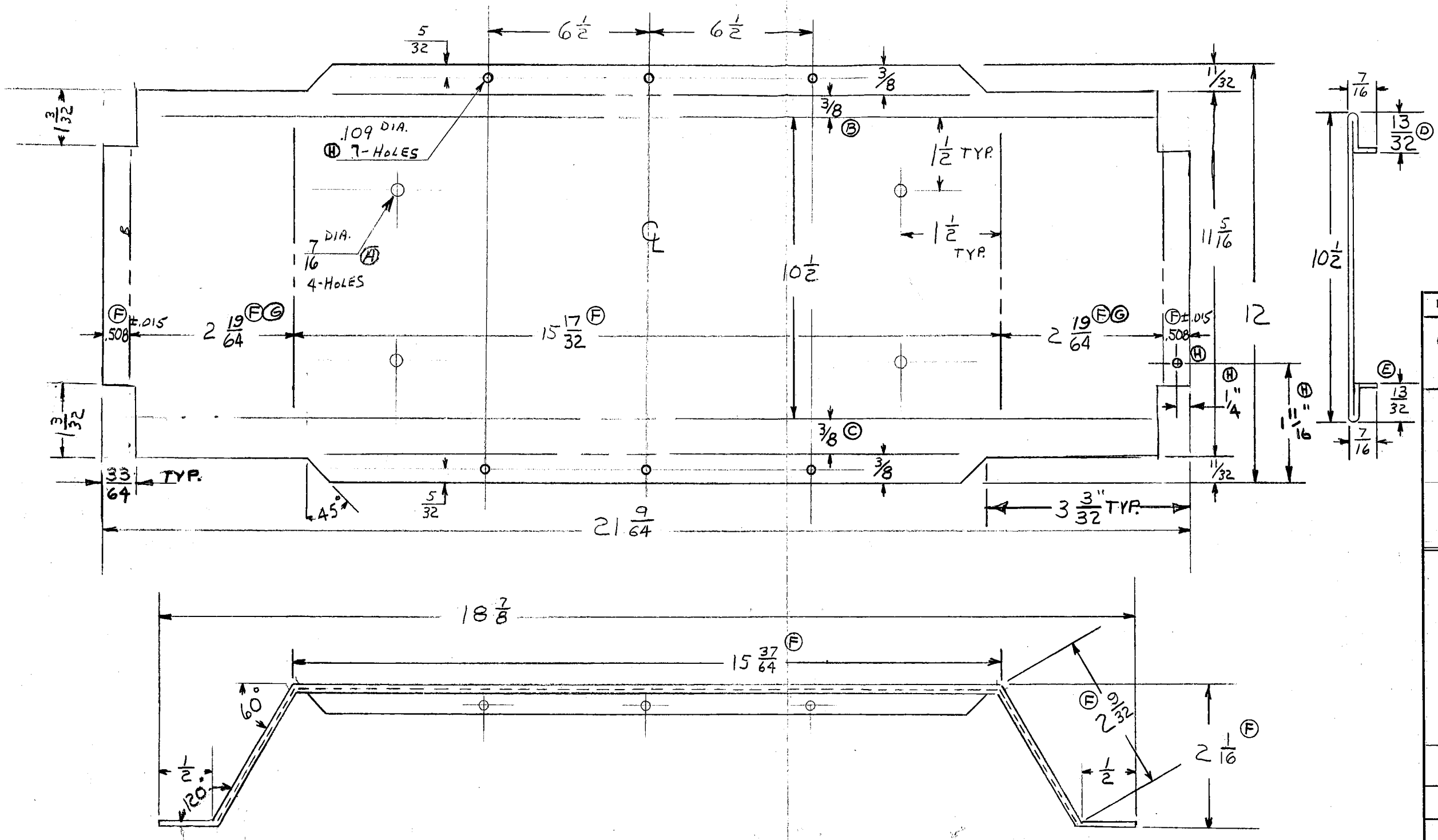


PART NAME	BOTTOM	SOURCE	FINISH	PART NO.	1-B
MATERIAL	20 GA. STEEL	STOCK SIZE	TEMPER OR HARDNESS	NO. REQ'D	

085/87



ISSUE	REVISIONS
(A)	WAS 3/16 DIA. D.L. 3-7-65
(B)	3/8 WAS 1/4
(C)	3/8 WAS 1/2
(D)	13/32 WAS 9/32
(E)	13/32 WAS 17/32
(F)	REID 1259 7-14-69
(G)	.508 WAS .474 2 21/64 WAS 2 3/8 15 17/32 WAS 15 7/16 15 37/64 WAS 15 35/64 2 9/32 WAS 2 29/64 2 1/16 WAS 2 3/32 6-25-71 DJB
(H)	2 19/64 WAS 2 21/64 T.R. 9-3-71
(I)	PER ECN # 3048 6-13-78 TAM
QTY.	USED ON

TOLERANCE: ± ON DECIMAL DIM.
± ON FRACTIONAL DIM.
UNLESS OTHERWISE SPECIFIED.

CUTTING SIZE 21 9/64 x 12

DO NOT SCALE DRWG.—WORK TO DIMENSIONS ONLY.
CHANGES INDICATED BY CIRCLED LETTERS.

ITEM	PART NO.	QTY.	DESCRIPTION

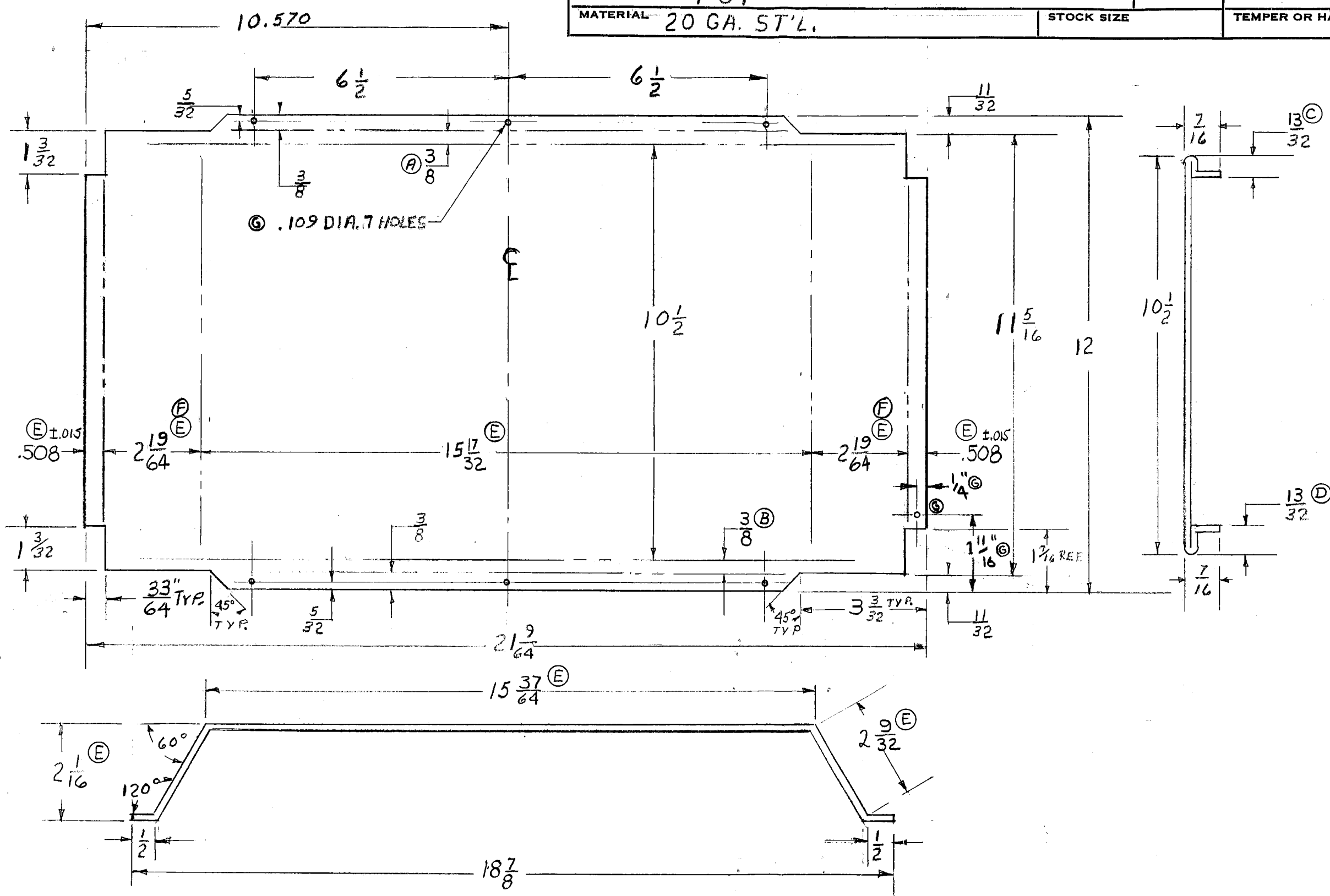
BUD RADIO INC.
CLEVELAND, OHIO
DRAWN D. LUCAS DATE
CHECKED *[Signature]* 3/8/65
APPROVED
1-B

RELEASO 1/30-67

GFH

PART NAME TOP	SOURCE	FINISH	PART NO. 1-T
MATERIAL 20 GA. ST'L.	STOCK SIZE	TEMPER OR HARDNESS	NO. REQ'D

085/17



ISSUE	REVISIONS
(A)	3/8 WAS 1/4
(B)	3/8 WAS 1/2
(C)	13/32 WAS 9/32
(D)	13/32 WAS 17/32
	REID 1259 7-14-67
(E)	.508 WAS .474 2 21/64 WAS 2 3/8 15 17/32 WAS 15 7/16 15 37/64 WAS 15 35/64 2 9/32 WAS 2 29/64 2 1/16 WAS 2 3/32 6-25-71 DJB
(F)	2 19/64 WAS 2 21/64 T.R. 9-3-71
(G)	PER ECN #3048 6-13-78 TAM
QTY.	USED ON

TOLERANCE: ±.005 ON DECIMAL DIM.
± 1/64 ON FRACTIONAL DIM.
UNLESS OTHERWISE SPECIFIED.

CUTTING SIZE 12 x 21 9/64

DO NOT SCALE DRWG.—WORK TO DIMENSIONS ONLY.
CHANGES INDICATED BY CIRCLED LETTERS.

ITEM	PART NO.	QTY.	DESCRIPTION

BUD RADIO INC.
WILLOUGHBY, OHIO
DRAWN R.D.W. DATE 2-1-68
CHECKED *TRM* 2-20-68
APPROVED
1-T